

A

B

C

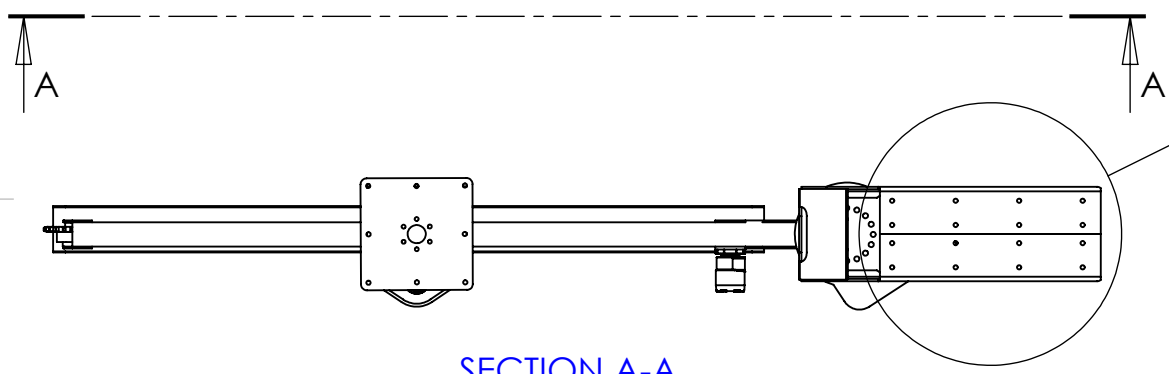
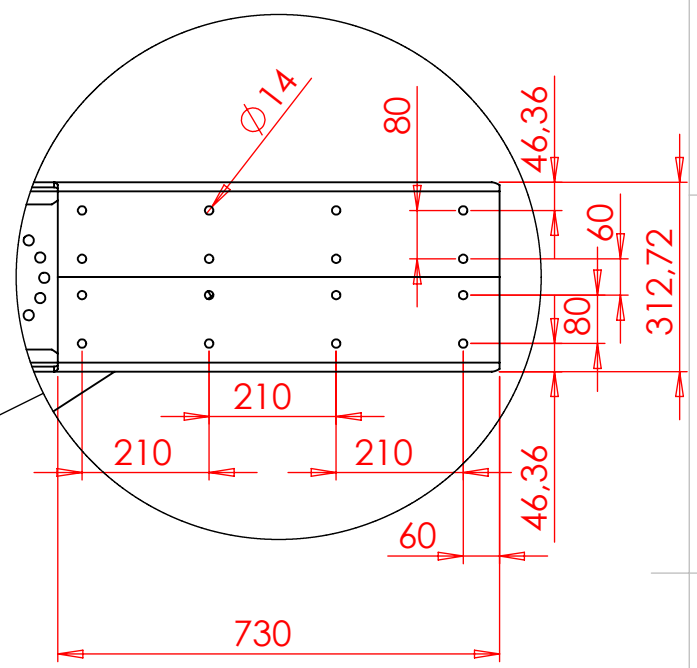
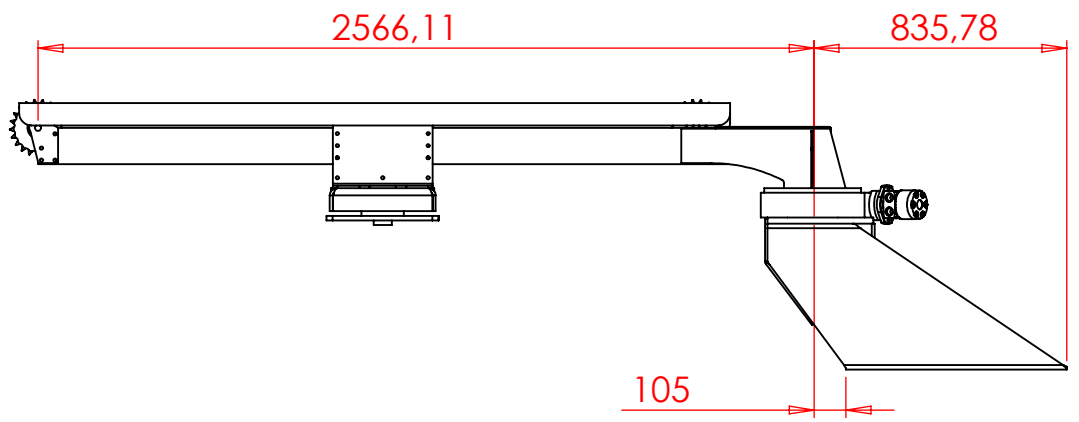
D

A

B

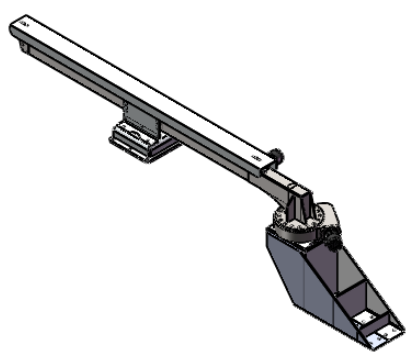
C

D



SECTION A-A

DETAIL B
SCALE 2 : 25



UNLESS OTHERWISE SPECIFIED:
DIMENSIONS ARE IN MILLIMETERS
SURFACE FINISH:
TOLERANCES:
LINEAR:
ANGULAR:

FINISH:

DEBUR AND
BREAK SHARP
EDGES

	NAME	SIGNATURE	DATE		
DRAWN					
CHK'D					
APPV'D					
MFG					
Q.A					
				MATERIAL:	

DO NOT SCALE DRAWING

REVISION

LORENTZEN HYDRAULIKK AS.

TITLE:
Garngreiebom 2.5 meters med rotator.

DWG NO. **sving-krans-gir** A4