

SECTION A-A

DO NOT SCALE DRAWING

REVISION

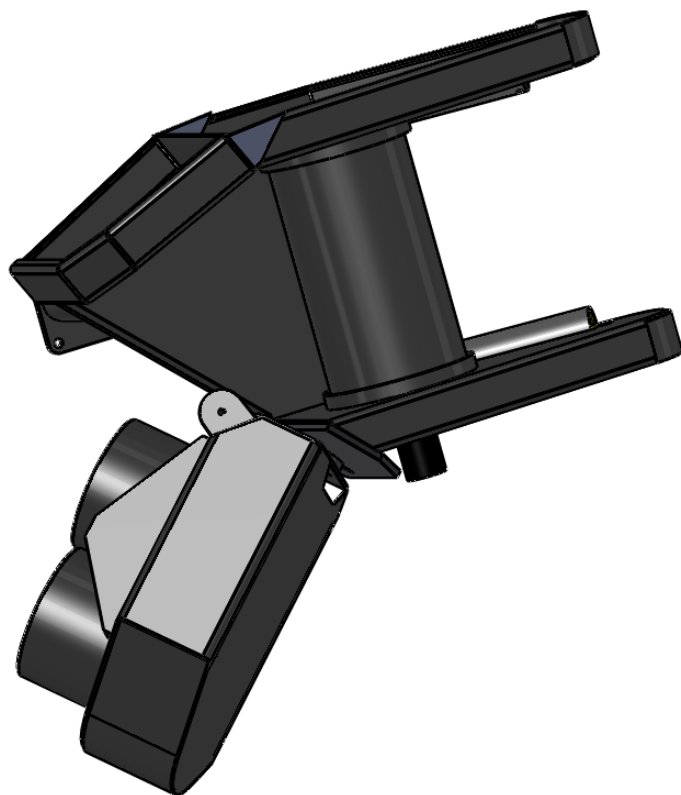
LORENTZEN HYD & MEK VERKSTED.
8310 KABELVÅG.

DRAWN SIGNATURE NAME	DATE
Tom Christensen	16.02.2009

UNLESS OTHERWISE SPECIFIED: DIMENSIONS ARE IN MILLIMETERS SURFACE FINISH: TOLERANCES: LINEAR: ANGULAR:	FINISH:
	DEBUR AND BREAK SHARP EDGES

TITLE:		
DWG NO.	kortdelsammen	A4

MATERIAL:	WEIGHT: kg	SCALE:1:15	SHEET 1 OF 2
-----------	------------	------------	--------------



Høyde inn slått ca 1830.m,m,

DO NOT SCALE DRAWING		REVISION	
LORENTZEN HYD & MEK VERKSTED. 8310 KABELVÅG.			
DRAWN SIGNATURE NAME Tom Christensen		DATE 16.02.2009	
UNLESS OTHERWISE SPECIFIED: DIMENSIONS ARE IN MILLIMETERS SURFACE FINISH: TOLERANCES: LINEAR: ANGULAR:		FINISH: DEBUR AND BREAK SHARP EDGES	
MATERIAL:		WEIGHT: kg	
TITLE:		DWG NO. kortdelsammen	
SCALE:1:15		SHEET 2 OF 2	
		A4	