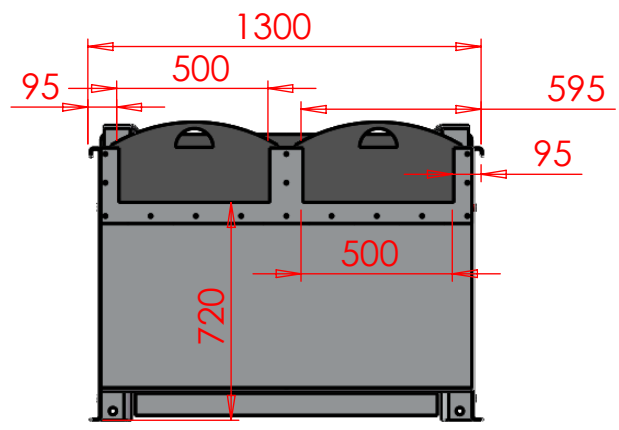
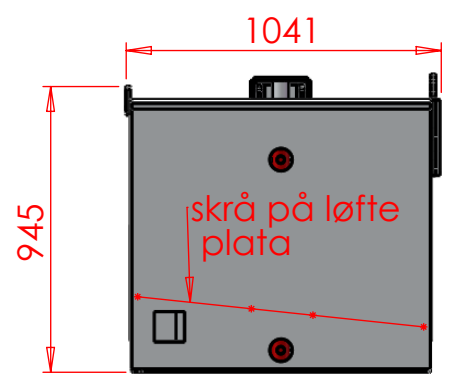


1 2 3 4 5 6

A



A

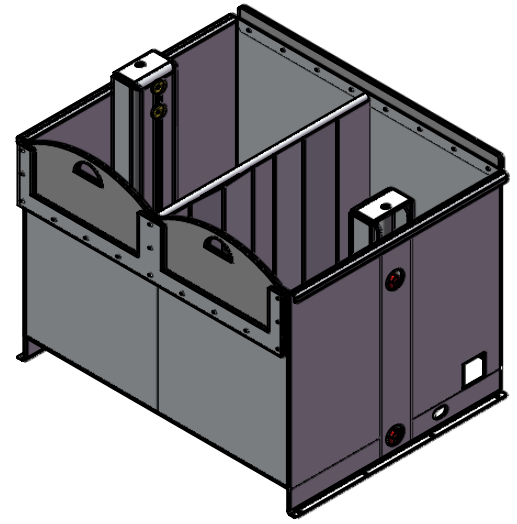


B

B

C

C



D

D

UNLESS OTHERWISE SPECIFIED: DIMENSIONS ARE IN MILLIMETERS SURFACE FINISH: TOLERANCES: LINEAR: ANGULAR:				FINISH:		DEBUR AND BREAK SHARP EDGES		DO NOT SCALE DRAWING		REVISION	
								TITLE:			
DRAWN				NAME		SIGNATURE		DATE			
CHK'D											
APPV'D											
MFG											
Q.A								MATERIAL:		DWG NO.	
										samen	
								WEIGHT: 166652.90		SCALE:1:25	
										SHEET 1 OF 2	
										A4	

1 2 3 4 5 6

1

2

3

4

5

6

A

A

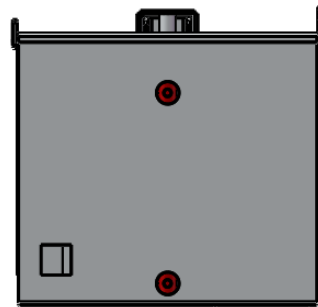
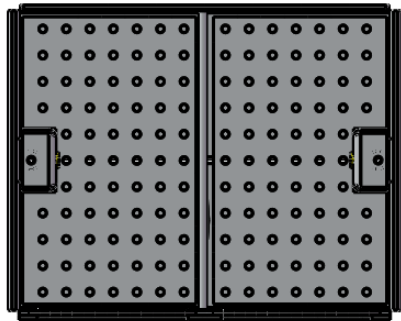
B

B

C

C

D



UNLESS OTHERWISE SPECIFIED:
 DIMENSIONS ARE IN MILLIMETERS
 SURFACE FINISH:
 TOLERANCES:
 LINEAR:
 ANGULAR:

FINISH:

DEBUR AND
BREAK SHARP
EDGES

DO NOT SCALE DRAWING

REVISION

	NAME	SIGNATURE	DATE		
DRAWN					
CHK'D					
APPV'D					
MFG					
Q.A					

TITLE:

MATERIAL:

DWG NO.

samen

A4

WEIGHT: 166652.90

SCALE:1:25

SHEET 2 OF 2

1

2