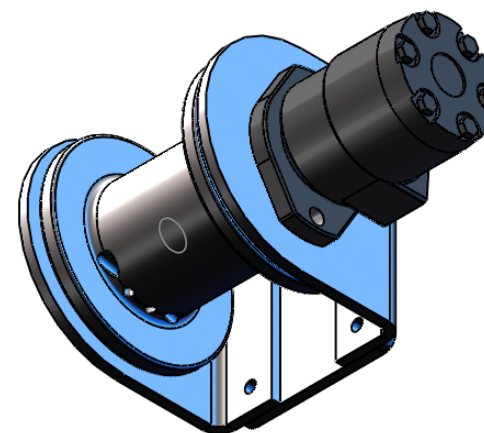
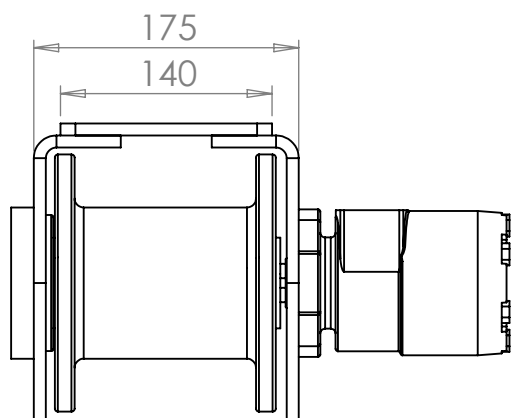


SECTION A-A



DO NOT SCALE DRAWING

REVISION

**LORENTZEN HYD & MEK VERKSTED.
8310 KABELVÅG.**

DRAWN SIGNATURE NAME

Tom Christensen

DATE

UNLESS OTHERWISE SPECIFIED:
DIMENSIONS ARE IN MILLIMETERS
SURFACE FINISH:
TOLERANCES:
LINEAR:
ANGULAR:

FINISH:

DEBUR AND
BREAK SHARP
EDGES

MATERIAL:

WEIGHT:14247.13

TITLE:

DWG NO.

bomvinsj 500 kg

A4

SCALE:1:5

SHEET 1 OF 1