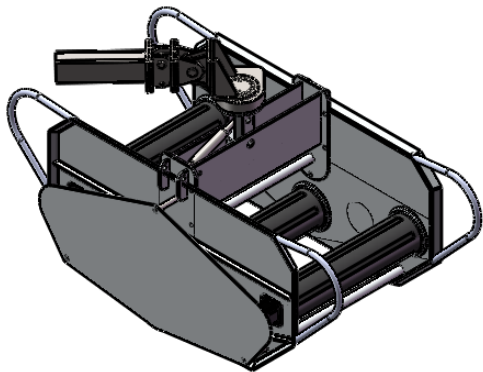


Dia ruller \varnothing 280
 åpning mellom rullene 660 mm.
 50 meter i minuttet med 70 liter



UNLESS OTHERWISE SPECIFIED:
 DIMENSIONS ARE IN MILLIMETERS
 SURFACE FINISH:
 TOLERANCES:
 LINEAR:
 ANGULAR:

FINISH:

DEBUR AND
 BREAK SHARP
 EDGES

DO NOT SCALE DRAWING

REVISION

	NAME	SIGNATURE	DATE		
DRAWN					
CHK'D					
APPV'D					
MFG					
Q.A					

TITLE:

Tripleks 1500 oppdrett

MATERIAL:

DWG NO.

sammen

A4

WEIGHT: 792003.66

SCALE:1:50

SHEET 1 OF 1